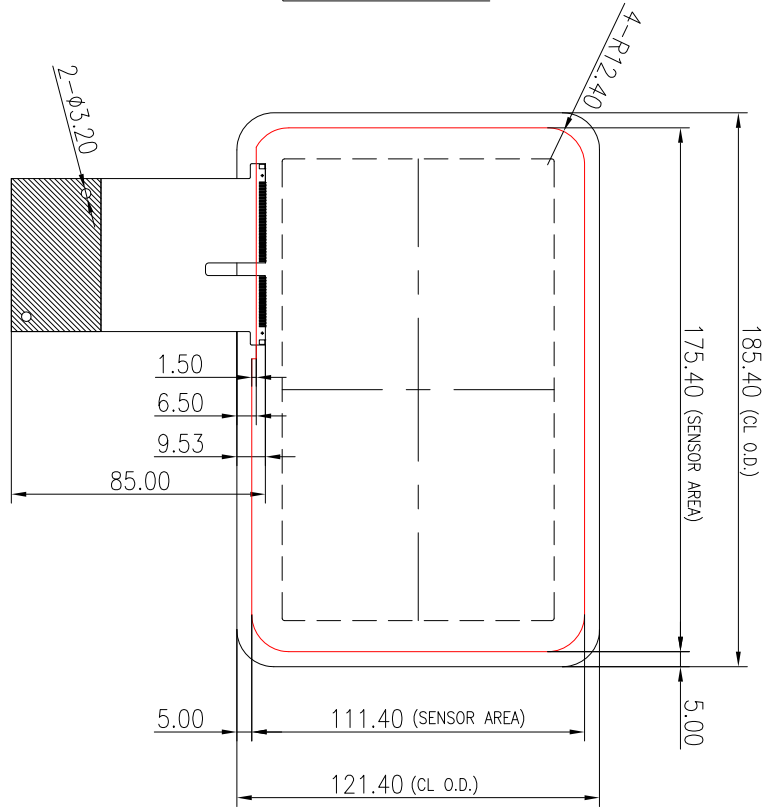
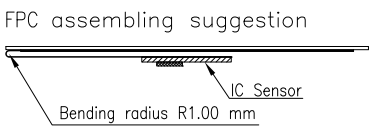
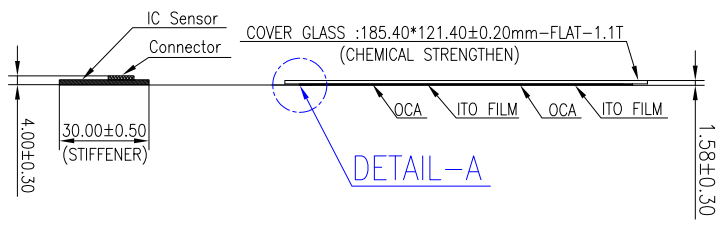
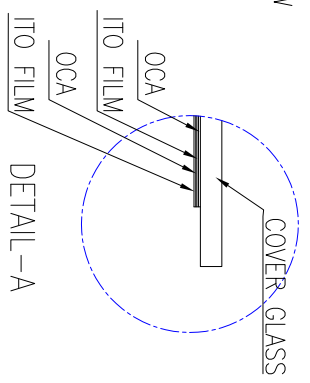
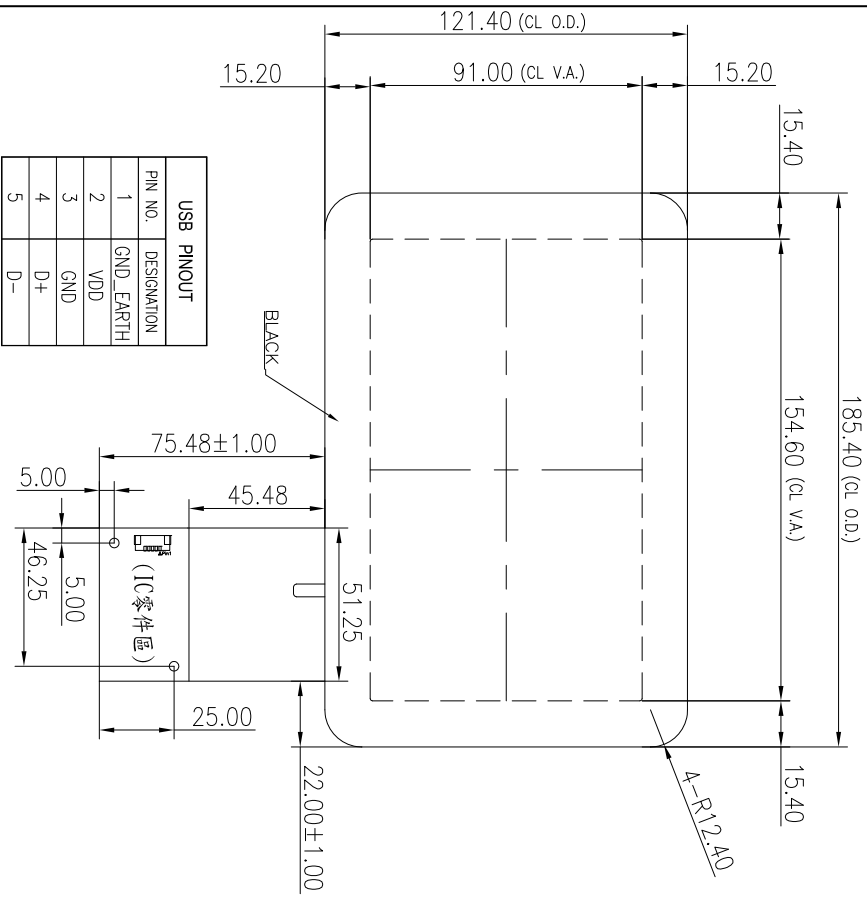


Rev.	Date	Description
A	2017/02/09	First Release



CUSTOMER NAME		PROJECTION		TPM PART NO.	
CUSTOMER'S APPROVAL		GENERAL TOLERANCE		68070040003	
CHK	DRWN	DATE	DATE	TP MODEL	AB-6807004112111210850
APVD	CHK	DATE	DATE	UNIT: mm	SHEET 1/1
2017.02.09		2017.02.09		REV. A	

