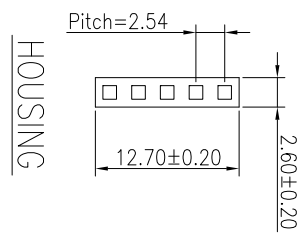
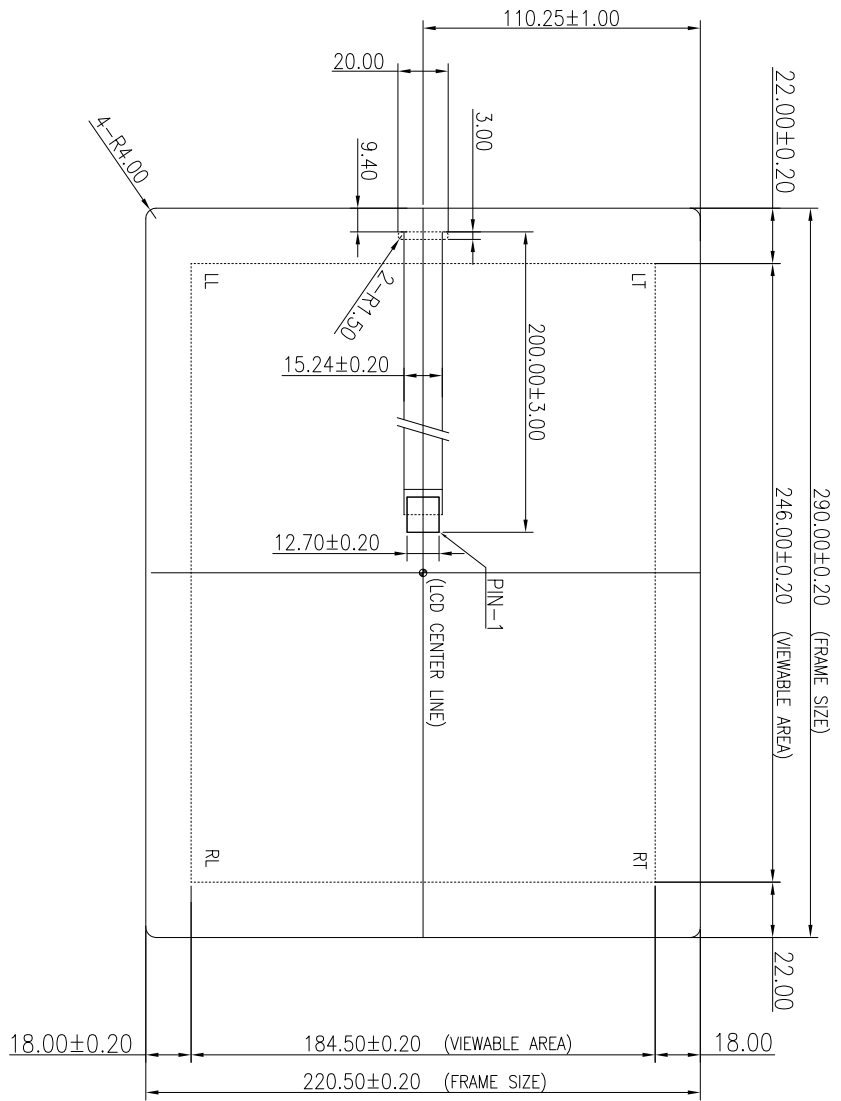
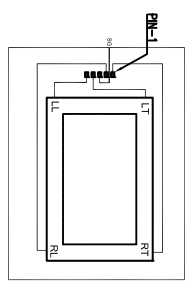


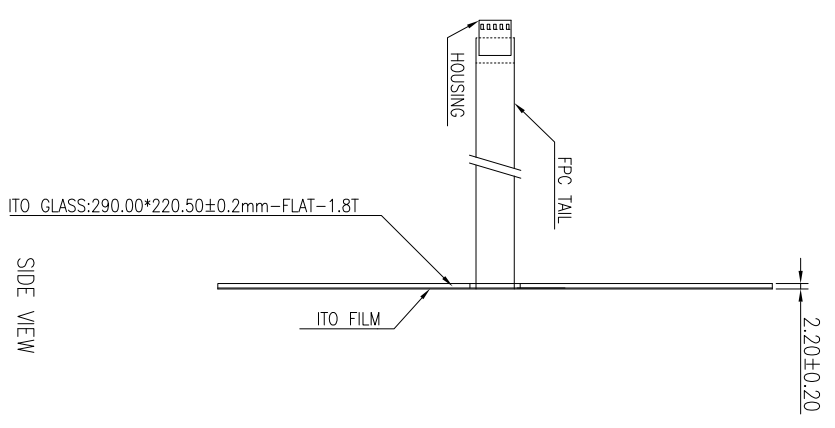
Rev.	Date	Description
A	2014.06.04	First Release



PIN NO.	DESIGNATION
1	RT
2	RL
3	SG
4	LT
5	LL



FRONT VIEW



ITO GLASS:290.00*220.50±0.2mm-FLAT-1.8T

SIDE VIEW

AbonTouch		MODEL	A-15121-1653
APPROVED	<i>Qiyi Zhang</i>	DATE	2014.06.04
CHECK	<i>Shen</i>	DATE	2014.06.04
DESIGN	<i>Alvanda</i>	DATE	2014.06.04
SHEET 1/1	UNIT: mm	REV.	A
		PART NO.	AB-1512116531118112001
		DESCRIPTION	